

MR Freight Elevator

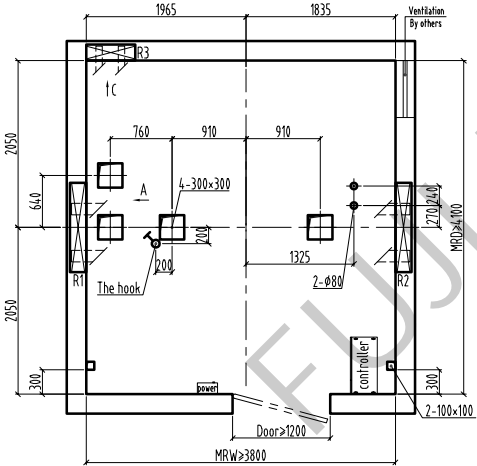
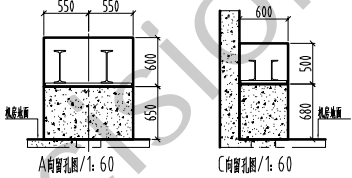
Hoistway Structure

Concrete Brick & Concrete Other

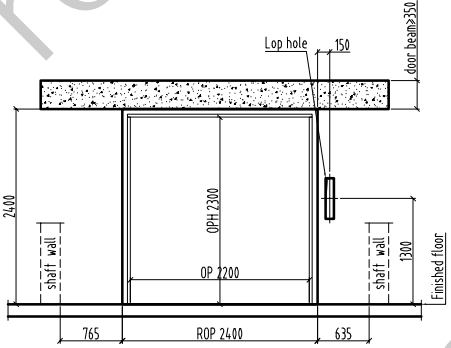
Unstandard Standard

NOTE

				Technical Requirement:		
HW	HOISTWAY WIDTH	CW	CAR INSIDE WIDTH	Type	THJ 5000 / 0.5 -VF	
HD	HOISTWAY DEPTH	CD	CAR INSIDE DEPTH	F/P/D	/ /	Door type Four Panels (Centre Opening)
OP	DOOR OPENING WIDTH	CH	CAR HEIGHT	load	5000 kg	speed 0.5 m/s
ROP	WALL OPENING WIDTH	MRW	MACHINE ROOM WIDTH	Machine	YJ336	Roping 2 : 1
OPH	DOOR OPENING HEIGHT	MRD	MACHINE ROOM DEPTH	T/sheave	φ 760	D/sheave φ
OH	OVERHEAD HEIGHT	MRF	MACHINE ROOM HEIGHT	car sheave	φ 640	CW sheave φ 640
CAR DBG	DISTANCE BETWEEN CAR GUIDE RAILS			Shaft	HW 3800 mm x HD 4100 mm	
CWT DBG	DISTANCE BETWEEN COUNTERWEIGHT GUIDE RAILS			Cabin	CW 2400 mm x CD 3600 mm	
				Door	OP 2200 mm x OPH 2300 mm	



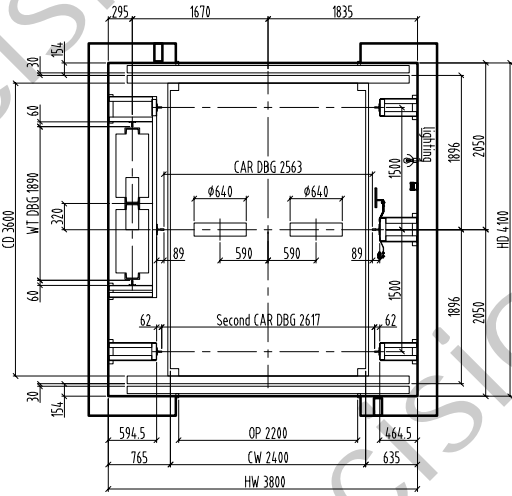
Machine room plan/1:60



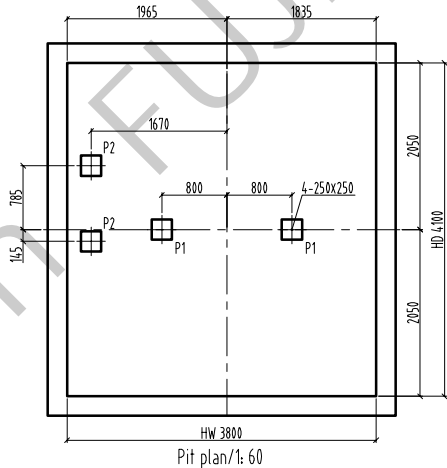
E/reserved hole/1: 60

The other side door hole is symmetrically reserved according to E to the door hole

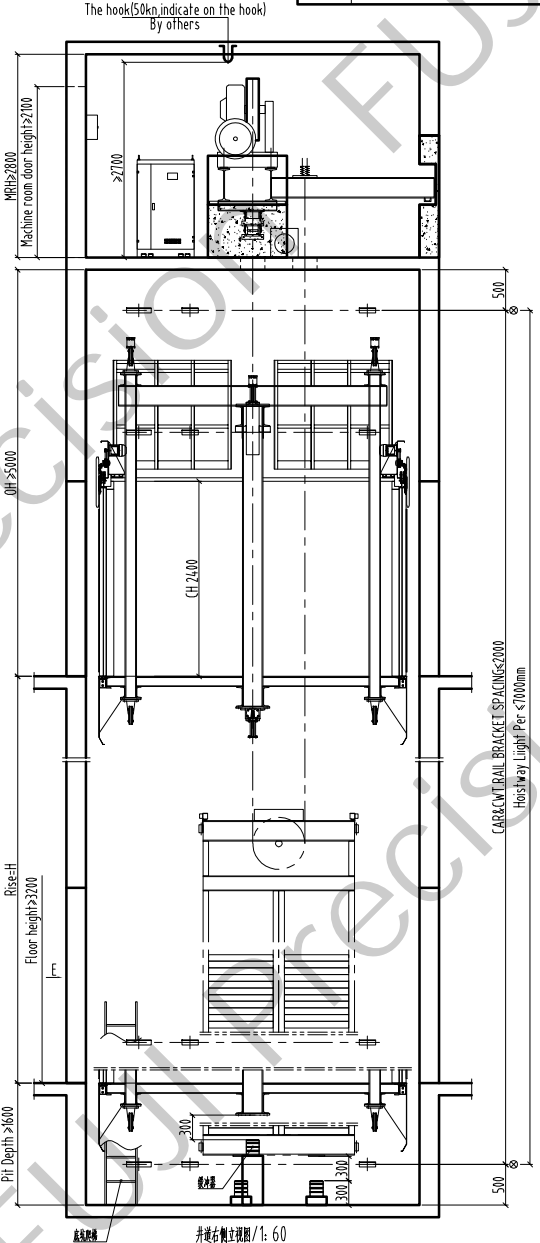
Bottom box Lop: 100x50 (base station) 100x40 (remaining stations)
No bottom box Lop hole: φ50 hole



Hoistway plan/1:60



Pit plan/1: 60



Pit Depth >= 1600

Technical Requirement:

Type	THJ 5000 / 0.5 -VF
Door type	Four Panels (Centre Opening)
Machine	YJ336
T/sheave	φ 760
D/sheave	φ
car sheave	φ 640
CW sheave	φ 640
Shaft	HW 3800 mm x HD 4100 mm
Cabin	CW 2400 mm x CD 3600 mm
Door	OP 2200 mm x OPH 2300 mm
Speed	0.25 / 0.5 (m/s)
Power	15 / 22 (kw)
OH	>= 5000 (mm)
Pit	>= 1600 (mm)
current	(A)

380V 3phase 5wire, 50Hz, fluctuation ±7%

Support Force (N)

R1	R2	R3	R4	P1	P2	P3	P4
213800	117200	18200		117200	122000		

Technical Requirement

1. Power supply: machine room need equiped with power supply. Power supply box need be locked. Power supply should be 3P 5 wires 380V 50Hz. Voltage tolerance ±7%, input power more than 50% of motor power, also equiped with air switch same capacity with power supply, also allow the supplement leakage protector. When use VVVF, need use special leakage switch. Ground resistor should be < 4Ω. It should use insulated conductor from floor to machine room. Keep separate for null wire and ground wire.

2. Shaft requirement, it should be only for lift, can not install non-related device (pipe, cable, etc), and should keep the person entrance into. The shaft plan size mean the min size measured by plumb line, tolerance ±50mm. Basically not allow the protruding beam and column. The proof pressure of shaft side should be ≥ 24MPa. Recommend to use full concrete, can not use the reserved steel. In case use solid brick, it should use reserved steel or make the ring beam on the surface of reserved steel, height ≥ 300mm. If use hollow brick, can choose C25 concrete fill into the wall, also make the ring beam on the surface of reserved steel, height ≥ 300mm. If the shaft front wall is brick construction, it should make the concrete beam up side of door hole to fix the landing door bracket, height ≥ 300mm. If have the requirement in the drawing, it should make the concrete in the entrance of hall door. If should equiped with lamp, brightness ≥ 50lx, install the lamp at 0.5m from the top and the bottom, in the middle, each lamp at ≤ 1m. The buffer block should be made accompany with special person. Before that, need make the reserved 24×25 joint bar, height ≥ 12mm, height ≥ 500mm from the pit floor, and should water proof. Keep the space for person entrance. Pit ladder is by user. Should installed it in a suitable place. If there have basement downside of the pit should make the buffer block extend to the solid floor downside. If the floor distance between 2 floor > 1m, should set the safe door with the width 350mm, height 1800mm.

3. Machine room requirement (not for MRL), it had the passageway for the traction machine. keep the entrance unblocked. the door opens outward, also can be locked. Installed the fan, keep the humidity < 85%, temperature +5℃~40℃, surrounding the reserved hole should make the 50mm hole, keep the floor plan, also bear the load 700kg/m².

The motor beam should be supported in the concrete block, this concrete block should extend to the building beam or bearing wall. Bearing side should make the reserved same side steel. Thickness 2mm, bearing side thickness should over the wall thickness 20mm, total thickness more than 75mm. Standard wall 200mm, recommend the bearing wall thickness ≥ 200mm. The hook in the machine room should indicate the max. load. It should install the ladder and barrier in case have stair.

OH	>= 5000
Rise	H
10 F	
9 F	
8 F	
7 F	
6 F	
5 F	
4 F	
3 F	
2 F	
1 F	
GF	
B F	
Pit	>= 1600
Floor	Height

Drawing No. FTH 5000-02-

Project name

FUJI PRECISION