

MR Passenger Elevator

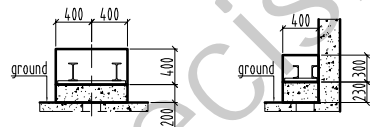
Hoistway Structure

Concrete Brick & Concrete Other

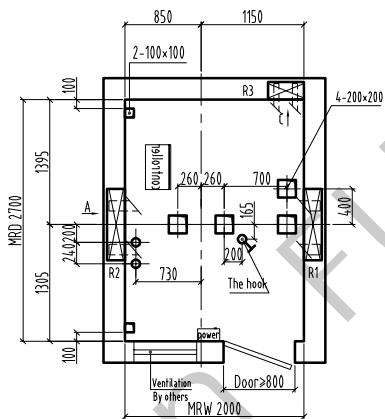
Unstandard Standard

NOTE

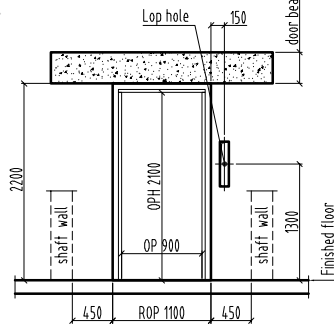
				Technical Requirement:			
HW	HOISTWAY WIDTH	CW	CAR INSIDE WIDTH	Type	TKJ1150 / 1.0 -VF		
HD	HOISTWAY DEPTH	CD	CAR INSIDE DEPTH	F/P/D	/	/	Door type Center open
OP	DOOR OPENING WIDTH	CH	CAR HEIGHT	load	1150 kg	speed	1.0 m/s
ROP	WALL OPENING WIDTH	MRW	MACHINE ROOM WIDTH	Machine	MCK200	Roping	2:1
OPH	DOOR OPENING HEIGHT	MRD	MACHINE ROOM DEPTH	T/sheave	φ 4.00	D/sheave	φ 4.00
OH	OVERHEAD HEIGHT	MRH	MACHINE ROOM HEIGHT	car sheave	φ 4.00	CW sheave	φ 4.00
CAR DBG	DISTANCE BETWEEN CAR GUIDE RAILS			Shaft	HW 2000 mm x HD 2700 mm		
CWT DBG	DISTANCE BETWEEN COUNTERWEIGHT GUIDE RAILS			Cabin	CW 1200 mm x CD 2200 mm		
				Door	OP 900 mm x OPH 2100 mm		



A, reserved hole/1:60 C, reserved hole/1:60

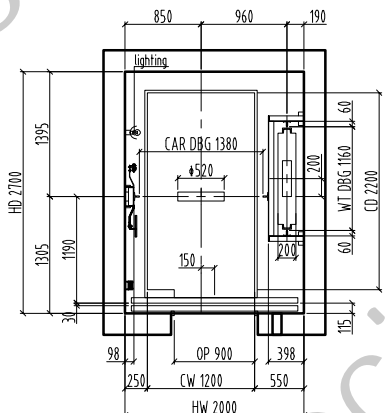


Machine room plan/1:60

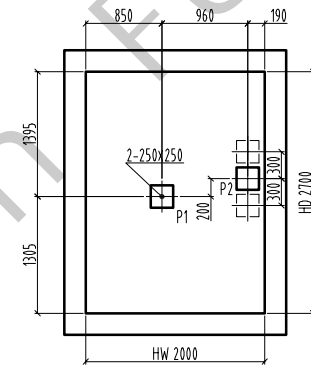


E/reserved hole/1: 60

Bottom box Lop: 100x500 (base station) 100x400 (remaining stations)
No bottom box Lop hole: φ50 hole

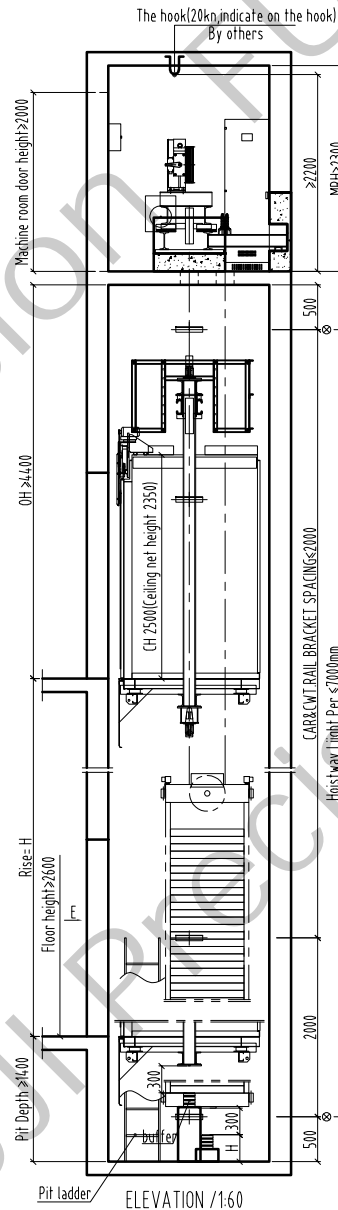


Hoistway plan/1:60



Pit plan/1: 60

When $v < 1.0m/s$, H=300; when $1.0m/s < v < 1.75m/s$, H=800; when the lifting height is more than 35m, the buffer pier P2 is arranged according to the dotted line, the bearing capacity is pressed A single P2/2 calculation.



The hook(20kn indicate on the hook) By others

ELEVATION /1:60

OH	Rise	H
OH	>=4.400	H
26 F		
25 F		
24 F		
23 F		
22 F		
21 F		
20 F		
19 F		
18 F		
17 F		
16 F		
15 F		
14 F		
13 F		
12 F		
11 F		
10 F		
9 F		
8 F		
7 F		
6 F		
5 F		
4 F		
3 F		
2 F		
1 F		
G F		
B F		
Pit	>=1400	
Floor	Height	

Technical Requirement

1. Power supply: machine room need equiped with power supply. Power supply box need be locked. Power supply should be 3P.5 wires, 380V 50Hz. Voltage tolerance $\pm 7\%$, input power more than 50% of motor power, also equiped with air switch same capacity with power supply, also allow the supplement leakage protector. When use VVVF, need use special leakage switch. Ground resistor should be < 4Ω. It should use insulated conductor from floor to machine room. Keep separate for null wire and ground wire.

2. Shaft requirement, it should be only for lift, can not install non-related device (pipe, cable, etc), and should keep the person entrance into. The shaft plan size mean the min size measured by plumb line, tolerance $\pm 50mm$. Basically not allow the protruding beam and column. The proof pressure of shaft side should be $\geq 24MPa$. Recommend to use full concrete, can not use the reserved steel. In case use solid brick, it should use reserved steel or make the ring beam on the surface of reserved steel, height $\geq 300mm$. If use hollow brick, can choose C25 concrete fill into the wall, also make the ring beam on the surface of reserved steel, height $\geq 300mm$. If the shaft front wall is brick construction, it should make the concrete beam upsid of door hole to fix the landing door bracket, height $\geq 300mm$. If have the requirement in the drawing, it should make the concrete in the entrance of hall door. If should equiped with lamp, brightness $\geq 50lx$, install the lamp at 0.5m from the top and the bottom, in the middle, each lamp at $\leq 1m$. The buffer block should be made accompany with special person. Before that need make the reserved 24-pcs joint bar $\geq \phi 12mm$, height $\geq 500mm$ from the pit floor, and should water proof. Keep the space for person entrance. Pit ladder is by user. Should installed it in a suitable place. If there have basement downside of the pit should make the buffer block extend to the solid floor downside. If the floor distance between 2 floor $> 1m$, should set the safe door with the width 350mm, high 1800mm.

3. Machine room requirement (not for MRL). It had the passageway for the traction machine. keep the entrance unblocked. the door opens outward, also can be locked. Installed the fan, keep the humidity $< 85\%$, temperature $+5\sim -40^\circ C$, surrounding the reserved hole should make the 50mm hole, keep the floor plan, also bear the load $700kg/m^2$. The motor or beam should be supported in the concrete block, this concrete block should extend to the building beam or bearing wall. Bearing side should make the reserved same side steel, thickness 2mm, bearing side thickness should over the wall thickness 20mm, total thickness more than 75mm. Standard wall 200mm, recommed the bearing wall thickness $\geq 200mm$. The hook in the machine room should indicate the max. load. It should install the ladder and barrier in case have stair.

Support Force (N)

R1	R2	R3	R4	P1	P2	P3	P4
53400	32200	6000		88000	68000		

current (A)

380V 3phase 5wire, 50Hz, fluctuation $\pm 7\%$

Drawing

approver

Drawing No. FTK1150-04-

manufacturing no.

Project name

Pit

Floor

FUJI PRECISION