

# MR Freight Elevator

Hoistway Structure

Concrete  Brick & Concrete  Other

Unstandard  Standard

NOTE

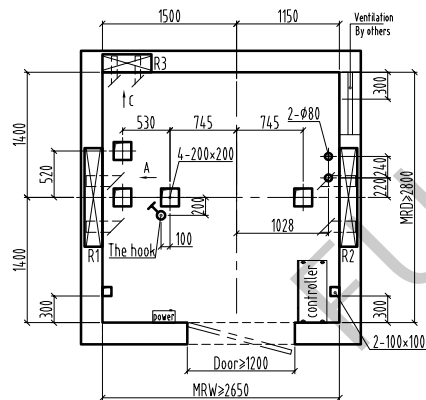
Technical Requirement:

HW	HOISTWAY WIDTH	CW	CAR INSIDE WIDTH	Type	THJ 2000 / 0.5 -VF		
HD	HOISTWAY DEPTH	CD	CAR INSIDE DEPTH	F/P/D	/ /	Door type	Side open
OP	DOOR OPENING WIDTH	CH	CAR HEIGHT	load	2000	kg	speed 0.5 m/s
ROP	WALL OPENING WIDTH	MRW	MACHINE ROOM WIDTH	Machine	YJ200A	Roping	2 : 1
OPH	DOOR OPENING HEIGHT	MRO	MACHINE ROOM DEPTH	T/sheave	φ 530	D/sheave	φ
OH	OVERHEAD HEIGHT	MRF	MACHINE ROOM HEIGHT	car sheave	φ 520	CW sheave	φ 520
CAR DBG	DISTANCE BETWEEN CAR GUIDE RAILS			Shaft	HW 2650	mm x HD 2800	mm
CWT DBG	DISTANCE BETWEEN COUNTERWEIGHT GUIDE RAILS			Cabin	CW 1800	mm x CD 2300	mm
				Door	OP 1500	mm x OPH 2100	mm

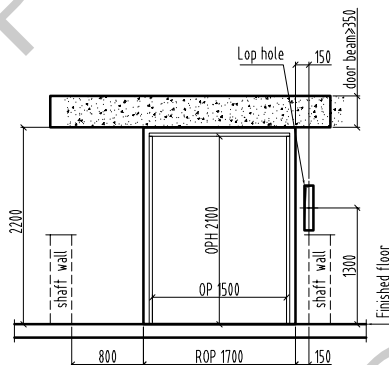


A reserved hole/1:60

C reserved hole/1:60



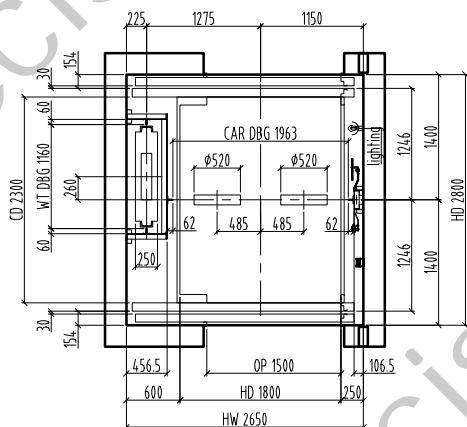
机房平面布置图/1: 60



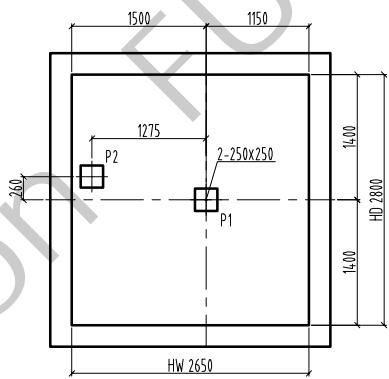
E reserved hole/1: 60

The other side door hole is symmetrically reserved according to E to the door hole

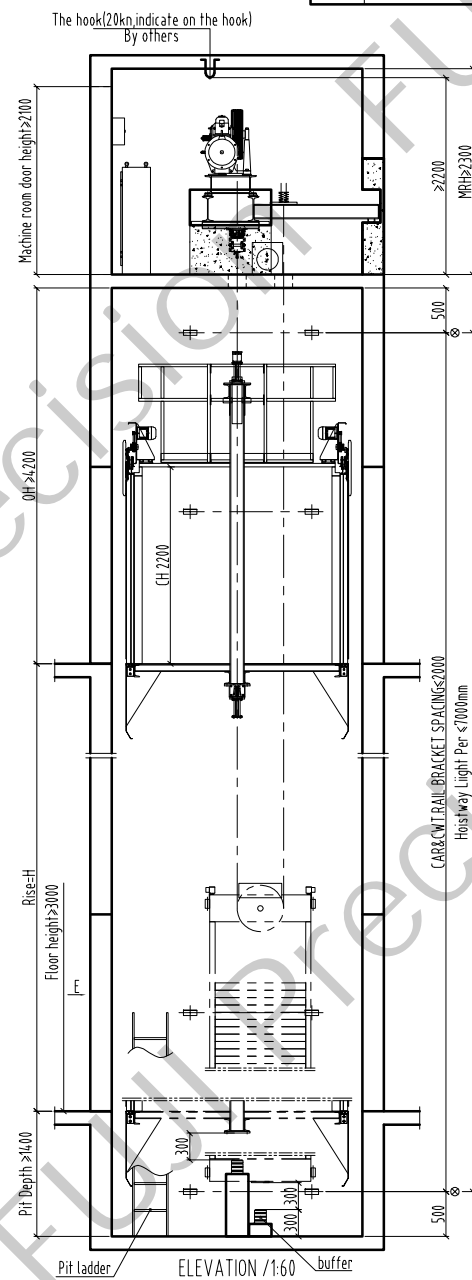
Bottom box Lop: 100x500 (base station) 100x400 (remaining stations)  
No bottom box Lop hole: φ50 hole



Hoistway plan/1:60



Pit plan/1: 60



ELEVATION /1:60

OH	>4200
Rise	H
10 F	
9 F	
8 F	
7 F	
6 F	
5 F	
4 F	
3 F	
2 F	
1 F	
GF	
B F	
Pit	>1400
Floor	Height

Drawing	approver
Drawing No.	FTH 2000-04-
manufacturing no.	
Project name	

FUJI PRECISION

Technical Requirement:

Support Force (N)

R1	R2	R3	R4	P1	P2	P3	P4
85600	55200	8400		144000	104000		

**Technical Requirement**

- Power supply: machine room need equiped with power supply. Power supply box need be locked. Power supply should be 3P.5 wires, 380V 50Hz. Voltage tolerance  $\pm 7\%$ , input power more than 50% of motor power, also equiped with air switch same capacity with power supply, also allow the supplement leakage protector. When use VVVF, need use special leakage switch. Ground resistor should be < 4Ω. It should use insulated conductor from floor to machine room. Keep separate for null wire and ground wire.
- Shaft requirement, it should be only for lift, can not install non-related device (pipe, cable, etc), and should keep the person entrance into. The shaft plan size mean the min size measured by plumb line, tolerance  $\pm 50$ mm. Basically not allow the protruding beam and column. The proof pressure of shaft side should be  $\geq 24$ MPa. Recommend to use full concrete, can not use the reserved steel. In case use solid brick, it should use reserved steel or make the ring beam on the surface of reserved steel, height  $\geq 300$ mm. If use hollow brick, can choose C25 concrete fill into the wall, also make the ring beam on the surface of reserved steel, height  $\geq 300$ mm. If the shaft front wall is brick construction, it should make the concrete beam upside of door hole to fix the landing door bracket, height  $\geq 300$ mm. If have the requirement in the drawing, it should make the concrete in the entrance of hall door. If should equiped with lamp, brightness  $\geq 50$ lx, install the lamp at 0.5m from the top and the bottom, in the middle, each lamp at  $\leq 1$ m. The buffer block should be made accompany with special person. Before that need make the reserved  $\geq 4$  pcs joint bar  $\geq 12$ mm, height  $\geq 500$ mm from the pit floor, and should water proof. Keep the space for person entrance. Pit ladder is by user. Should installed it in a suitable place. If there have basement downside of the pit should make the buffer block extend to the solid floor downside. If the floor distance between 2 floor  $> 1$ m, should set the safe door with the width 350mm, height 1800mm.
- Machine room requirement (not for MRL). It had the passageway for the traction machine. The door opens outward, also can be locked. Installed the fan, keep the humidity  $< 85\%$ , temperature  $+5$ ~ $-40$ °C, surrounding the reserved hole should make the 50mm hole, keep the floor plan, also bear the load 700kg/m<sup>2</sup>. The motor beam should be supported in the concrete block, this concrete block should extend to the building beam or bearing wall. Bearing side should make the reserved same side steel. Bearing side should make the reserved same side steel, thickness 2mm, bearing side thickness should over the wall thickness 20mm, total thickness more than 75mm. Standard wall 200mm, recommend the bearing wall thickness  $\geq 200$ mm. The hook in the machine room should indicate the max. load. It should install the ladder and barrier in case have stair.