

MR Passenger Elevator

Hoistway Structure

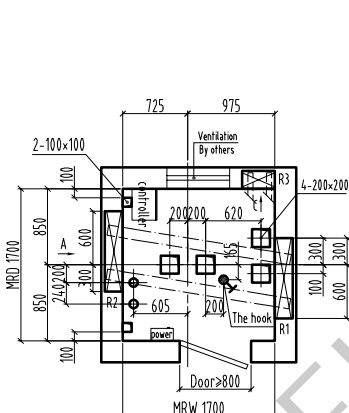
Concrete Brick & Concrete Other

Unstandard Standard

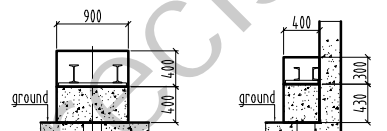
NOTE

Technical Requirement:

HW	HOISTWAY WIDTH	CW	CAR INSIDE WIDTH	Type	TKJ450/1.0 -VF		
HD	HOISTWAY DEPTH	CD	CAR INSIDE DEPTH	F/P/D	2 / 2 / 2	Door type	Center open
OP	DOOR OPENING WIDTH	CH	CAR HEIGHT	load	450 kg	speed	1.0 m/s
ROP	WALL OPENING WIDTH	MRW	MACHINE ROOM WIDTH	Machine	MCK200	Roping	2:1
OPH	DOOR OPENING HEIGHT	MRD	MACHINE ROOM DEPTH	T/sheave	φ 400	D/sheave	φ 400
OH	OVERHEAD HEIGHT	MRH	MACHINE ROOM HEIGHT	car sheave	φ 400	CW sheave	φ 400
CAR DBG	DISTANCE BETWEEN CAR GUIDE RAILS			Shaft	HW 1700 mm x HD 1700 mm		
CWT DBG	DISTANCE BETWEEN COUNTERWEIGHT GUIDE RAILS			Cabin	CW 950 mm x CD 1150 mm		
				Door	OP 700 mm x OPH 2100 mm		

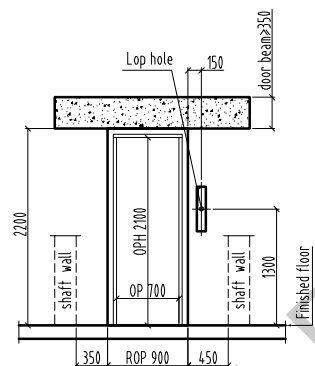


Machine room plan/1:60



A reserved hole/1:50

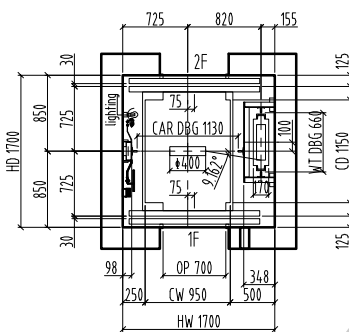
C reserved hole/1:50



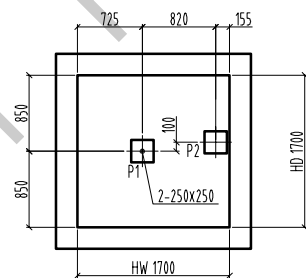
E reserved hole/1:60

The other side door hole is symmetrically reserved according to E to the door hole

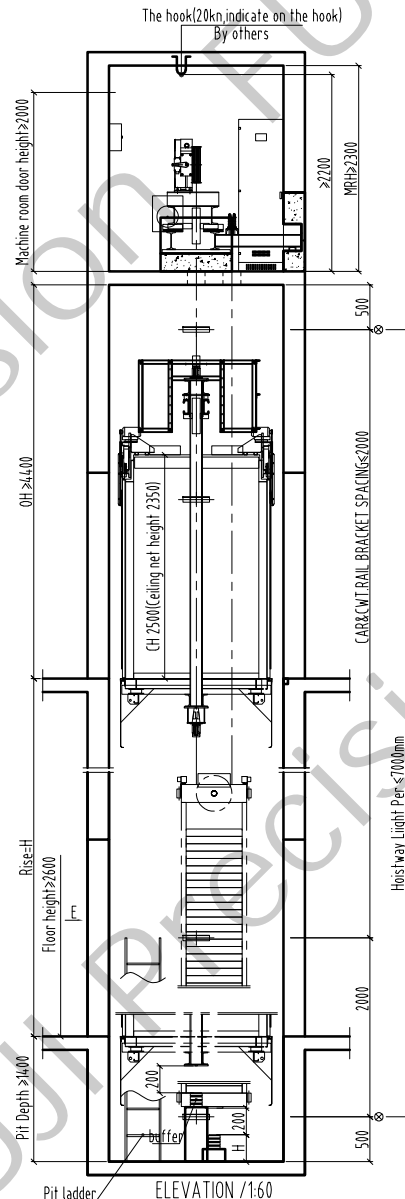
Bottom box Lop: 100x500 (base station) 100x400 (remaining stations)
No bottom box Lop hole: φ50 hole



Hoistway plan/1:60



Pit plan/1:60



ELEVATION /1:60

OH	≥4400
Rise	H
26 F	
25 F	
24 F	
23 F	
22 F	
21 F	
20 F	
19 F	
18 F	
17 F	
16 F	
15 F	
14 F	
13 F	
12 F	
11 F	
10 F	
9 F	
8 F	
7 F	
6 F	
5 F	
4 F	
3 F	
2 F	
1 F	
GF	
B F	
Pit	≥1400
Floor	Height

Drawing approver

Drawing No. FTK 450-02-

Project name

FUJI PRECISION