

MR Freight Elevator

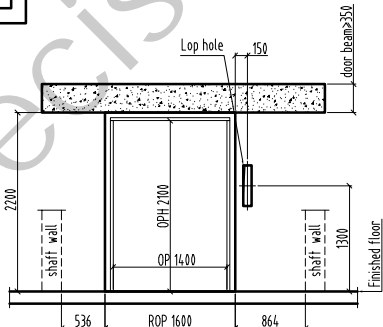
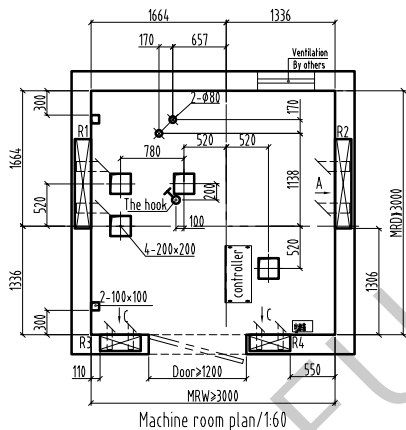
Hoistway Structure

Concrete Brick & Concrete Other

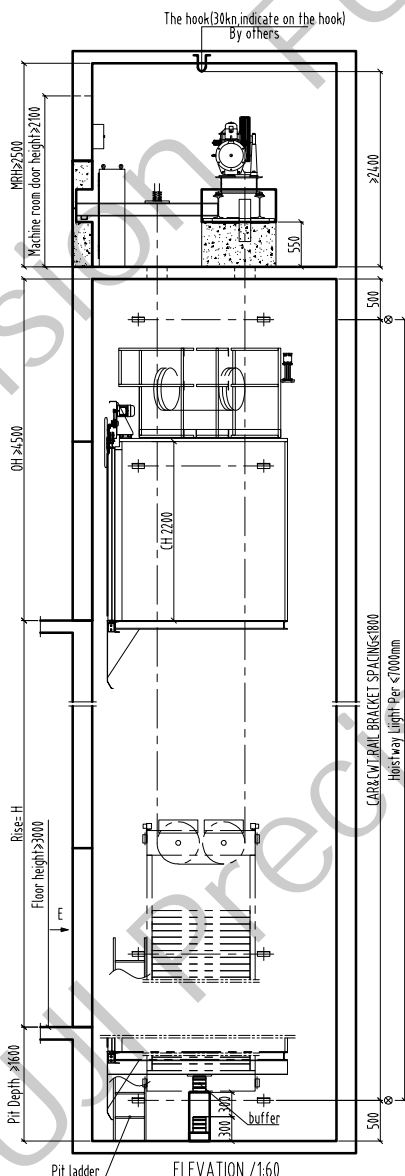
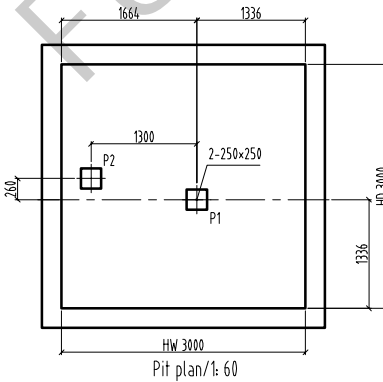
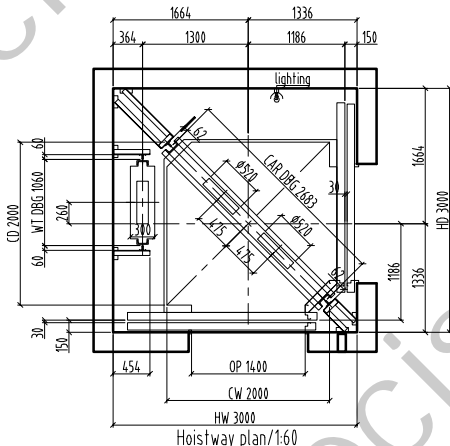
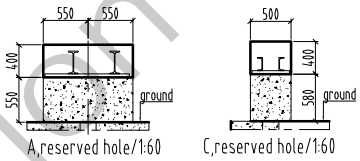
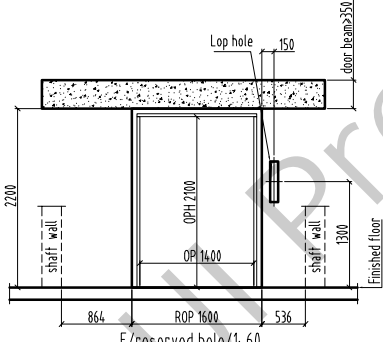
Unstandard Standard

NOTE

NOTE				Technical Requirement:			
HW	HOISTWAY WIDTH	CW	CAR INSIDE WIDTH	Type	THJ 2000 / 0.5-VF		
HD	HOISTWAY DEPTH	CD	CAR INSIDE DEPTH	F/P/D	/	/	Door type Side Open
OP	DOOR OPENING WIDTH	CH	CAR HEIGHT	load	2000	kg	speed 0.5 m/s
ROP	WALL OPENING WIDTH	MRW	MACHINE ROOM WIDTH	Machine	YJ200A	Roping	2 : 1
OPH	DOOR OPENING HEIGHT	MRO	MACHINE ROOM DEPTH	T/sheave	∅ 530	D/sheave	∅ 520
OH	OVERHEAD HEIGHT	MRF	MACHINE ROOM HEIGHT	car sheave	∅ 520	CW sheave	∅ 520-2
CAR DBG	DISTANCE BETWEEN CAR GUIDE RAILS			Shaft	HW 3000	mm x HD 3000	mm
CWT DBG	DISTANCE BETWEEN COUNTERWEIGHT GUIDE RAILS			Cabin	CW 2000	mm x CD 2000	mm
				Door	OP 1400	mm x OPH 2100	mm
				Speed	0.5		(m/s)
				Power	15		(kw)
				OH	≥4500		(mm)
				Pit	≥1600		(mm)
				current			(A)
				380V 3phase 5wire, 50Hz, fluctuation ±7%			
				Support Force (N)			
				R1	R2	R3	R4
				85600	55200	8400	15000
				P1	P2	P3	P4
				30000	144000	104000	



Bottom box Lop: 100x500 (base station) 100x400 (remaining stations)
No bottom box Lop hole: ∅50 hole



OH	∅4500
Rise	H
10 F	
9 F	
8 F	
7 F	
6 F	
5 F	
4 F	
3 F	
2 F	
1 F	
GF	
B F	
Pit	≥1600
Floor	Height

Technical Requirement

1. Power supply: machine room need equipped with power supply. Power supply box need be locked. Power supply should be 3P.5 wires, 380V 50Hz. Voltage tolerance ±7%, input power more than 50% of motor power, also equipped with air switch same capacity with power supply, also allow the supplement leakage protector. When use VVVF, need use special leakage switch. Ground resistor should be < 4Ω. It should use insulated conductor from floor to machine room. Keep separate for null wire and ground wire.

2. Shaft requirement, it should be only for lift, can not install non-related device (pipe, cable, etc), and should keep the person entrance into. The shaft plan size mean the min size measured by plumb line, tolerance ±50mm. Basically not allow the protruding beam and column. The proof pressure of shaft side should be > 24MPa. Recommend to use full concrete, can not use the reserved steel. In case use solid brick, it should use reserved steel or make the ring beam on the surface of reserved steel, height > 300mm. If use hollow brick, can choose C25 concrete fill into the wall, also make the ring beam on the surface of reserved steel, height > 300mm. If the shaft front wall is brick construction, it should make the concrete beam up side of door hole to fix the landing door bracket, height > 300mm. If have the requirement in the drawing, it should make the concrete in the entrance of hall door. It should equip with lamp, brightness > 50lx, install the lamp at 0.5m from the top and the bottom, in the middle, each lamp at < 1m. The buffer block should be made accompany with special person. Before that need make the reserved 24-pcs joint bar, > ∅12mm, height > 500mm from the pit floor, and should water proof. Keep the space for person entrance. Pit ladder is by user. Should installed it in a suitable place. If there have basement downside of the pit should make the buffer block extend to the solid floor downside. If the floor distance between 2 floor > 1m, should set the safe door with the width 350mm, height 1800mm.

3. Machine room requirement (not for MRL). It had the passageway for the traction machine. The door opens outward, also can be locked. Installed the fan, keep the humidity < 85%, temperature +5℃-40℃, surrounding the reserved hole should make the 50mm hole, keep the floor plan, also bear the load 700kg/m². The motor beam should be supported in the concrete block, this concrete block should extend to the building beam or bearing wall. Bearing side should make the reserved same side steel. Thickness 2mm, bearing side thickness should over the wall thickness 20mm, total thickness more than 75mm. Standard wall 200mm, recommend the bearing wall thickness > 200mm. The hook in the machine room should indicate the max. load. It should install the ladder and barrier in case have stair.

Drawing No. FTH 2000-21-
Project name

Drawing

approver

FUJI PRECISION