

# MRL Sightseeing Elevator

## Hoistway Structure

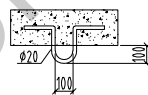
Concrete  Brick & Concrete  Other

Unstandard  Standard

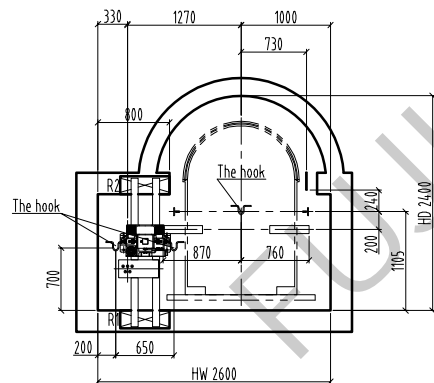
NOTE

Technical Requirement:

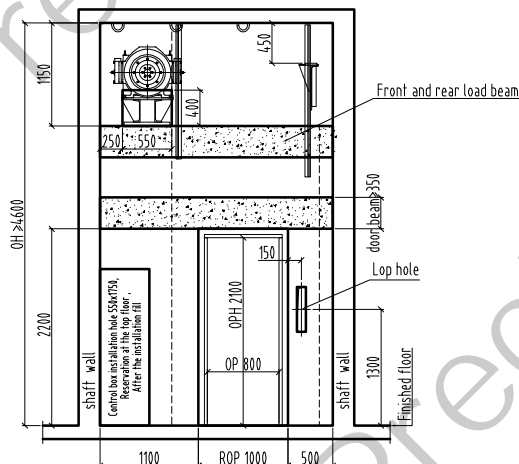
HW	HOISTWAY WIDTH	CW	CAR INSIDE WIDTH	Type	TKJw 800 / 1.0 -VF		
HD	HOISTWAY DEPTH	CD	CAR INSIDE DEPTH	F/P/D	/ /	Door type	Center open
OP	DOOR OPENING WIDTH	CH	CAR HEIGHT	load	800	kg	speed 1.0 m/s
ROP	WALL OPENING WIDTH	MRW	MACHINE ROOM WIDTH	Machine	MCK200	Roping	2 : 1
OPH	DOOR OPENING HEIGHT	MRD	MACHINE ROOM DEPTH	T/sheave	φ 4.00	D/sheave	φ
OH	OVERHEAD HEIGHT	MRH	MACHINE ROOM HEIGHT	car sheave	φ 4.4.0	CW sheave	φ 4.4.0
CAR DBG	DISTANCE BETWEEN CAR GUIDE RAILS			Shaft	HW 2600 mm x HD 2400 mm		
CWT DBG	DISTANCE BETWEEN COUNTERWEIGHT GUIDE RAILS			Cabin	CW 1200 mm x CD 1800 mm		
				Door	OP 800 mm x OPH 2100 mm		



The hook

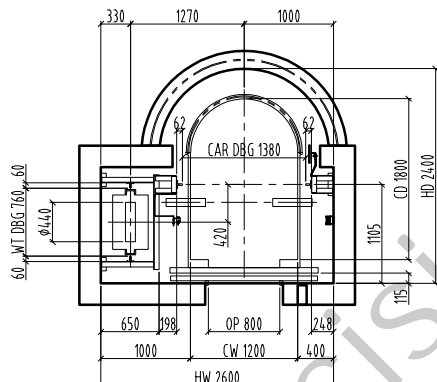


Overhead plan/1:60

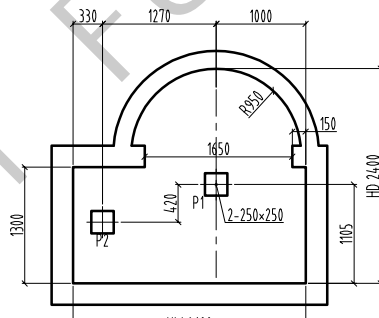


E/reserved hole/1: 60

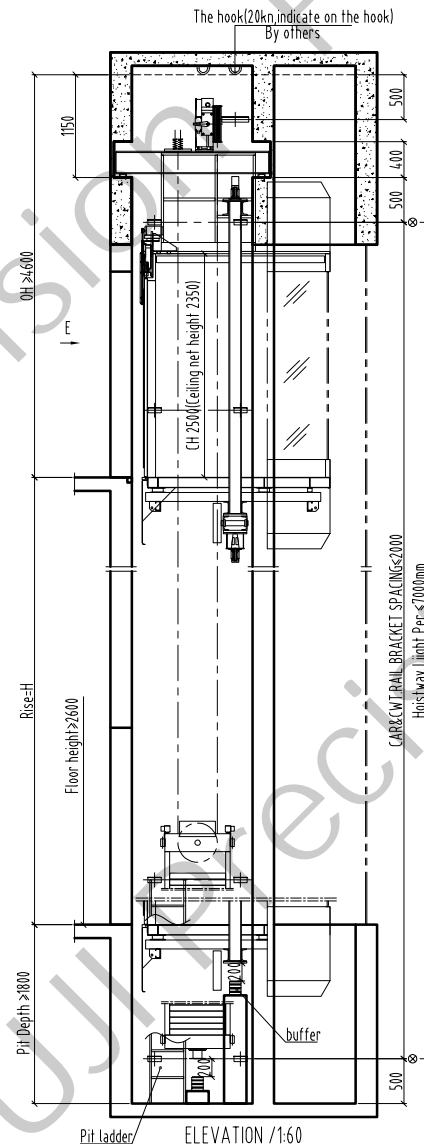
Bottom box Lop: 100x500 (base station) 100x400 (remaining stations)  
No bottom box Lop hole: φ50 hole



Hoistway plan/1:60



Pit plan/1: 60



ELEVATION /1:60

OH	≥4600
Rise	H
26 F	
25 F	
24 F	
23 F	
22 F	
21 F	
20 F	
19 F	
18 F	
17 F	
16 F	
15 F	
14 F	
13 F	
12 F	
11 F	
10 F	
9 F	
8 F	
7 F	
6 F	
5 F	
4 F	
3 F	
2 F	
1 F	
G F	
B F	
Pit	≥1800
Floor	Height

FUJI PRECISION

Drawing No. FTKW 800 -01-

Project name

Drawing

approver

manufacturing no.

Project name

FUJI PRECISION

FUJI PRECISION